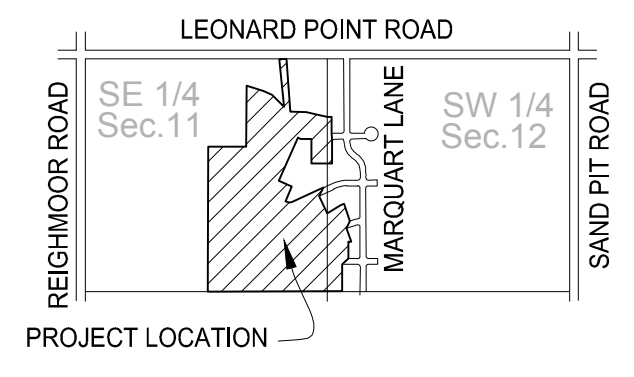


Sandhill Farms 2

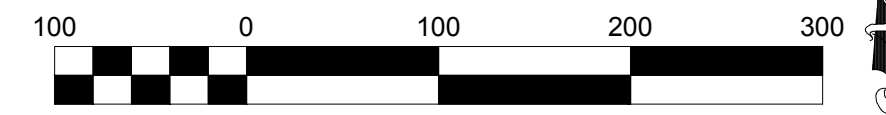
All of Lot 1 of CSM 5628 and part of CSM 5514 all being part of the Northeast 1/4 of the Southeast 1/4 and part of the Southeast 1/4 of the Southeast 1/4 of Section 11; also including part of the Northwest 1/4 of the Southwest 1/4 and part of the Southwest 1/4 of the Southwest 1/4 of Section 12, all located in T18N, R15E, Town of Omro, Winnebago County, Wisconsin

Leonard Point Road
East 1/4 Corner Section 11, T18N, R15E (Aluminum Monument Found)

LOCATION MAP
SE 1/4 SEC 11 & SW 1/4 SECTION 12,
T 18 N, R 15 E, TOWN OF OMRO
WINNEBAGO COUNTY, WI



- LEGEND**
- △ 1/4" Rebar Found
 - 1" Iron Pipe Found
 - 1/4" x 18" Steel Rebar @ 4.30lbs/LF SET
 - All other corners 3/4" x 18" Steel Rebar @ 1.50lbs/LF SET
 - SF Lot areas in square feet
 - () Recorded As
 - Delineated Wetlands
 - Ordinary high water mark of existing retention ponds

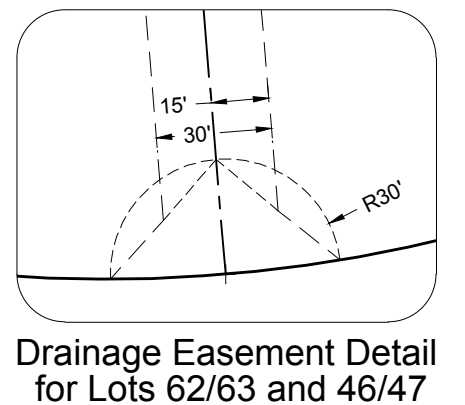


Bearings are referenced to the East line of the Southeast 1/4, Section 11, T18N, R15E, assumed to bear S00°22'50"W, base on the Winnebago County Coordinate System.

There are no objections to this plat with respect to Secs. 236.15, 236.16, 236.20 and 236.21(1) and (2), Wis. Stats. as provided by s. 236.12, Wis. Stats.

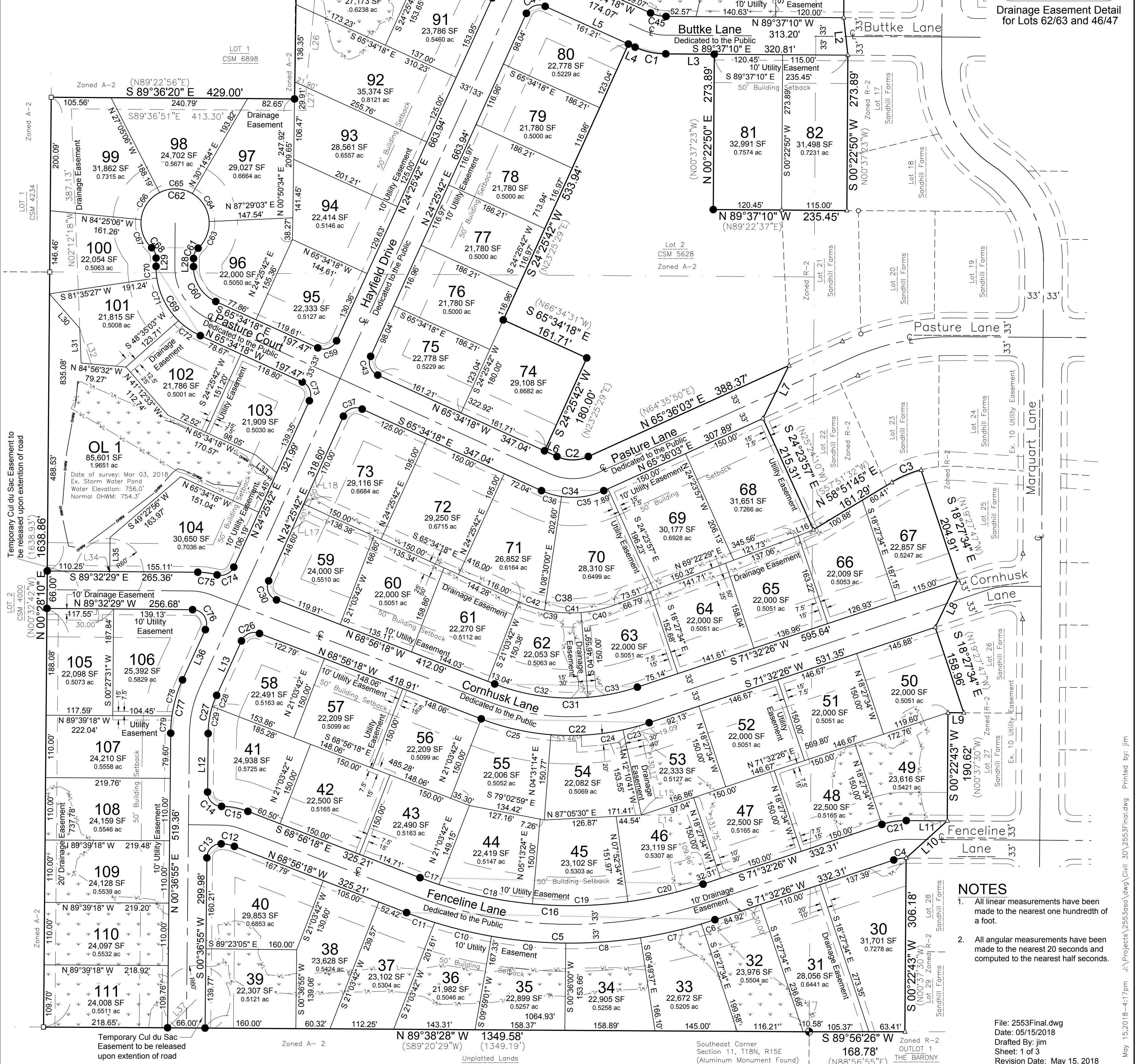
Certified _____ 20

Department of Administration



James R. Sehoff PLS 2692 Date _____

DAVEL ENGINEERING & ENVIRONMENTAL, INC.
CIVIL ENGINEERING CONSULTANTS
1811 Racine Street, Menasha, WI 54952
Ph: 920-991-1866 Fax: 920-830-9595
www.davel.pro



- NOTES**
1. All linear measurements have been made to the nearest one hundredth of a foot.
 2. All angular measurements have been made to the nearest 20 seconds and computed to the nearest half seconds.

File: 2553Final.dwg
Date: 05/15/2018
Drafted By: jim
Sheet: 1 of 3
Revision Date: May 15, 2018

May 15, 2018 - 4:17pm J:\Projects\2553\2553.dwg Civil 3D 2553Final.dwg Printed by: jim